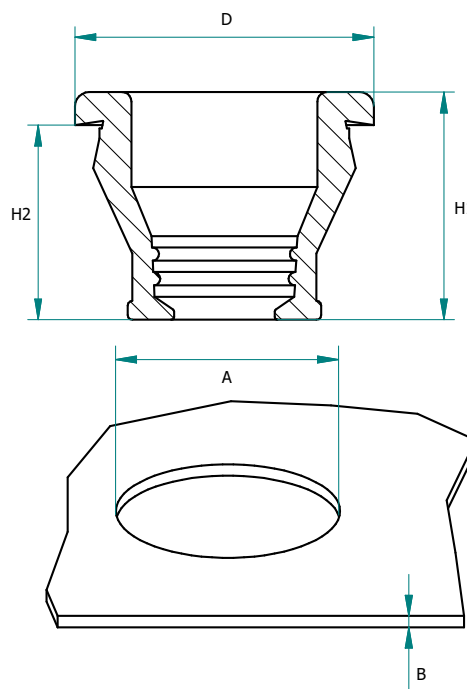


SNAP<sup>®</sup> EASY TIGHT  
SNAP<sup>®</sup> EASY-TIGHT



Artikel Nr. Part no.	Nennmaß Nominal size	Kabel Ø Cable Ø	Loch Ø Panel hole size	Wandstärke Panel thickness	Gesamt Ø Total Ø	Gesamthöhe Total height	Einbautiefe Installation depth	Material Material	
			A	B	D	H1	H2		
1490	M 10	1,5 - 4,0	10,5	1 - 4,0	14,0	18,5	15,0	EB	
1491	M 12	4 - 6	12,5	1 - 4,0	16,0	20,5	17,0	EB	
1492	M 16	6 - 9	16,5	1 - 4,0	21,0	22,0	18,5	EB	
1493	M 20	9 - 12	20,5	1 - 4,0	25,5	22,0	18,5	EB	
1494	M 25	12 - 16	25,5	1 - 4,0	31,5	24,0	20,5	EB	
1495	M 32	16 - 20	32,5	1 - 6,0	38,0	27,5	23,5	EB	
1496	M 40	20 - 26	40,5	1 - 6,0	46,5	28,5	24,5	EB	

**Information:**

EB = EPDM, schwarz

Toleranzen nach (DIN ISO 3302, Teil 2 M2F)  
Irrtum vorbehalten

**Information:**

EB = EPDM, black

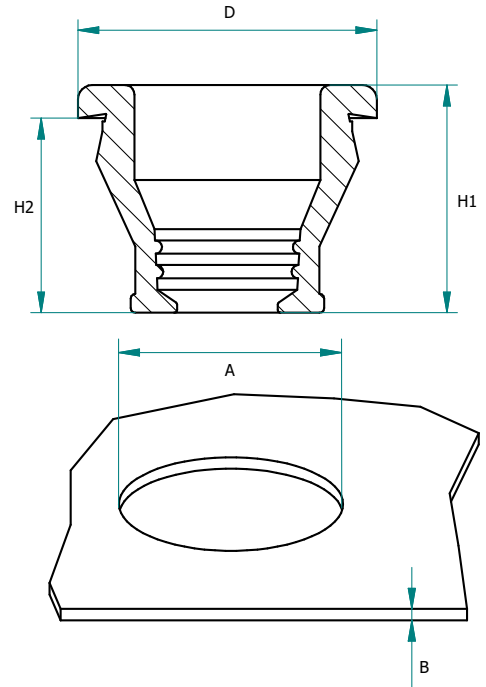
General measuring tolerances (DIN ISO 3302, section 2 M2F)  
Errors excepted



SNAP<sup>®</sup> EASY TIGHT  
SNAP<sup>®</sup> EASY-TIGHT



Abbildung zeigt ein Anwendungsbeispiel  
The illustration shows an application example



Artikel Nr. Part no.	Nennmaß Nominal size	Kabel Ø Cable Ø	Loch Ø Panel hole size	Wandstärke Panel thickness	Gesamt Ø Total Ø	Gesamthöhe Total height	Einbautiefe Installation depth	Material Material	
			A	B	D	H1	H2	EB	
1497	M 50	26 - 35	50,5	1 - 6,0	58,0	30,0	25,5	EB	

**Information:**

EB = EPDM, schwarz

Toleranzen nach (DIN ISO 3302, Teil 2 M2F)  
Irrtum vorbehalten

**Information:**

EB = EPDM, black

General measuring tolerances (DIN ISO 3302, section 2 M2F)  
Errors excepted

